

MATERIALS & FEATURES

- 1 bicycles secured - Class 1 long term bike parking
- Fire retardant composite doors and panels
- Steel reinforced door panels
- Fully assembled - stand alone
- UV and Graffiti resistant
- Latching members are aluminium, zinc and stainless steel
- High security locking bar

FINISH OPTIONS

UV stablefire retardant composite in 2 color options:

- Leather (Tan)
- Iridium (Grey)

LOCKING OPTIONS

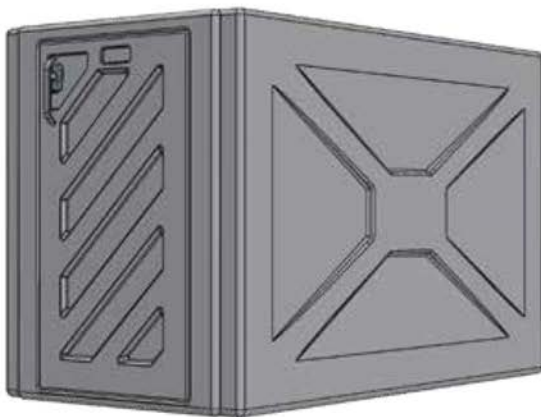
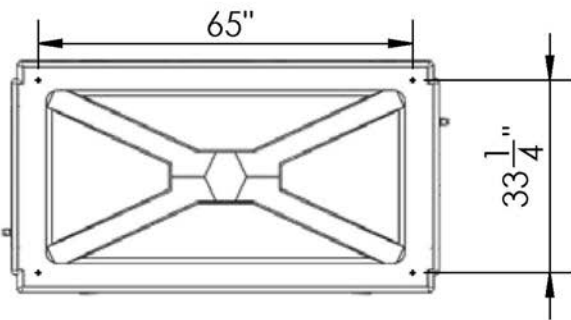
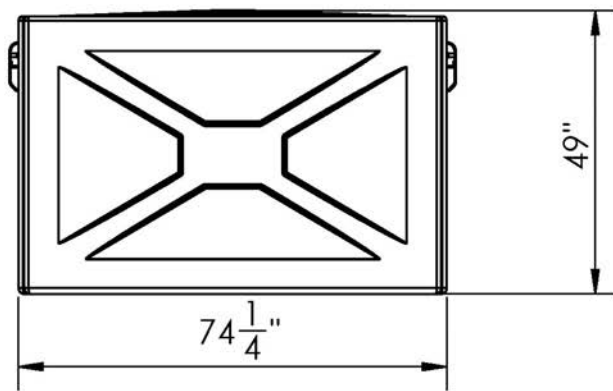
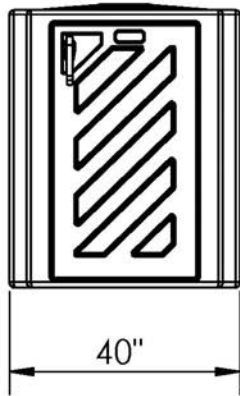
- Padlock handle
- T-Handle (keys)

SPACE USE RECOMMENDATIONS

- Front of locker to wall setback for door swing clearance
 - Minimum: 48" Recommended: 60"
 - Lockers parallel to a wall - Less than 3" or more than 9"*
 - Distance between lockers - Less than 3" or more than 9"*
- * Child safety requirements

FIBERGLASS BICYCLE VAULT® BIKE LOCKER - FBV2

 Cut Sheet & Quick Specifications



MATERIALS & FEATURES

- 2 bicycles secured - Class 1 long term bike parking
- Fiberglass one-piece housing
- Steel reinforced door panels
- Fully assembled - stand alone
- UV and Graffiti resistant
- Latching members are aluminium, zinc and stainless steel
- High security locking bar

FINISH OPTIONS

UV stable fire retardant composite in 2 color options:

- Leather (Tan)
- Iridium (Grey)

LOCKING OPTIONS

- Padlock handle
- T-Handle (keys)

SPACE USE RECOMMENDATIONS

- Front of locker to wall setback for door swing clearance
 - Minimum: 48" Recommended: 60"
 - Lockers parallel to a wall - Less than 3" or more than 9"*
 - Distance between lockers - Less than 3" or more than 9"*
- * Child safety requirements