

MATERIALS & FEATURES

- Offset® vertical bike docks mounted to a free standing system
- Zinc plated steel Dock mounting hardware
- Bikes are offset by 12.5" (See cut sheet for Offset® Vertical)
- Single sided freestanding vertical bike parking system
- Electro galvanized U-rails, zinc plated mounting hardware
- 1.9" Kick Tube, hot-dipped galvanized steel pipe
- 2 Universal support towers, thermoplastic coated steel
- 2 Universal free-standing legs, thermoplastic coated steel
- Tower Assembly Hardware Kit, hot-dipped galvanized steel

FINISH

- Duraplas™ black towers
- Electro-galvanized rails
- Hot-dipped galvanized tubing

CONFIGURATIONS & FOOTPRINT W/ BIKES

- CS8 73 3/4" L x 152" W x 92" H - 8 bikes secured*
- CS12 102 1/4" L x 152" W x 92" H - 12 bikes secured*
- CS16 130 3/4" L x 152" W x 92" H - 16 bikes secured*
- CS20 156" L x 152" W x 92" H - 20 bikes secured*

Add on units are available in multiples of four (CSA8 - CSA20)

*Includes loading zone.

MOUNTING OPTIONS

- Free standing
- Surface (Optional)

SPACE USE RECOMMENDATIONS

Racks can be spaced 31.5" (for 24" bike-to-bike spacing) or 28.5" (for 21" bike-to-bike spacing) apart

Ceiling height: minimum 92"

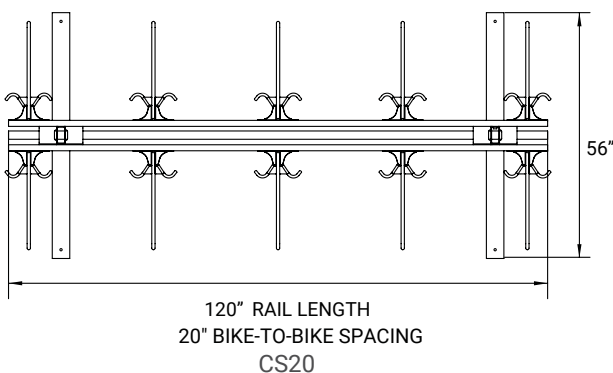
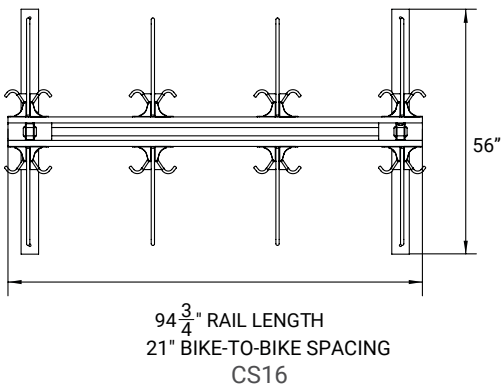
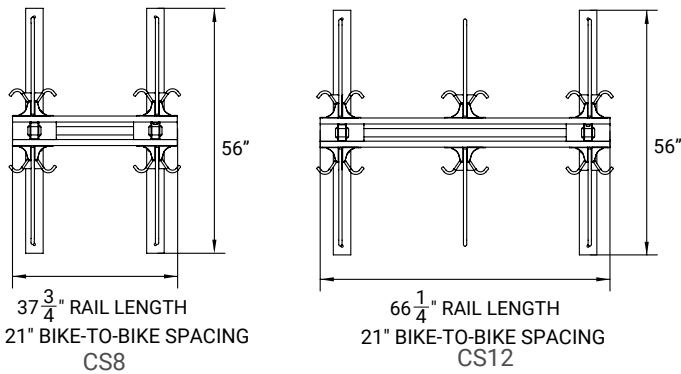
Loading zone: recommended 48" - 72"

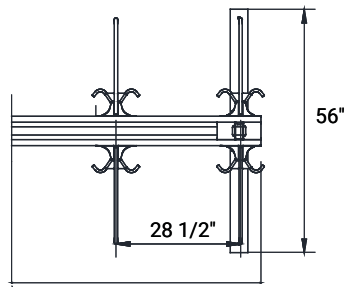
Distance to wall: Minimum 18" from end of freestanding rack

Add on units are available in multiples of four. Please contact us or see the CSA models for more information.

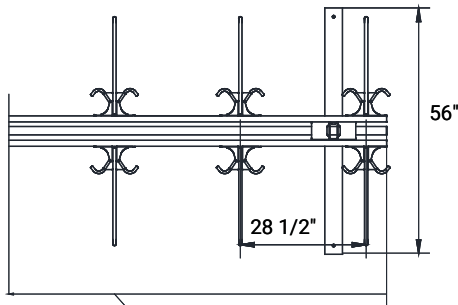
For single sided freestanding vertical bike parking systems, see our Side Stage™ models.

For layout or planning assistance, please contact our planning team @ 800-630-7225.

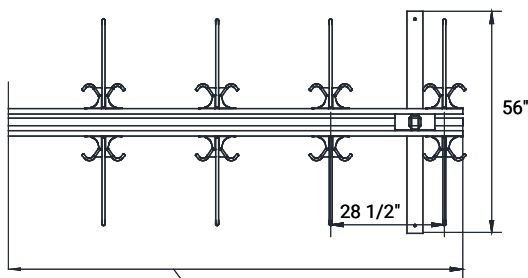




56" RAIL LENGTH
21" BIKE-TO-BIKE SPACING
CSA 8



84" RAIL LENGTH
21" BIKE-TO-BIKE SPACING
CSA 12



111 1/4" RAIL LENGTH
21" BIKE-TO-BIKE SPACING
CSA 16

MATERIALS & FEATURES

Offset® vertical bike docks mounted to a free standing system
Zinc plated steel Dock mounting hardware
Bikes are offset by 12.5" (See cut sheet for Offset® Vertical)
Single sided freestanding vertical bike parking system
Electro galvanized U-rails, zinc plated mounting hardware
1.9" Kick Tube, hot-dipped galvanized steel pipe
2 Universal support towers, thermoplastic coated steel
2 Universal free-standing legs, thermoplastic coated steel
Tower Assembly Hardware Kit, hot-dipped galvanized steel

FINISH

Duraplas™ black towers
Electro-galvanized rails
Hot-dipped galvanized tubing

CONFIGURATIONS & FOOTPRINT W/BIKES

- CSA8 56"L x 152"W x 92"H - 8 bikes secured*
- CSA12 84"L x 152"W x 92"H - 12 bikes secured*
- CSA16 111.25"L x 152"W x 92"H - 16 bikes secured*

*Includes minimum loading zone, 48"

MOUNTING OPTIONS

- Free standing
- Surface (optional)

SPACE USE RECOMMENDATIONS

Racks can be spaced 31.5" (for 24" bike-to-bike spacing) or 28.5" (for 21" bike-to-bike spacing) apart
Ceiling height: minimum 92"

Loading zone: recommended 48" - 72"

Distance to wall: Minimum 18" from end of freestanding rack

For layout or planning assistance, please contact our planning team @ 800-630-7225