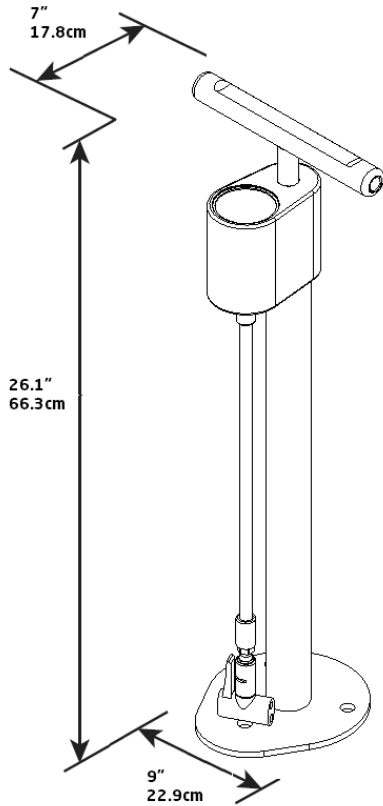


Indoor Public Bike Pump

..... Cut Sheet & Quick Specifications



MATERIALS & FEATURES

- Made from solid stainless steel
- Rubber exterior and braided steel core hose
- Presta/Schrader pump head
- Impact resistant pressure gauge

FINISH OPTIONS

Powder Coat

MOUNTING OPTIONS

Surface Mount

In-Ground Mount

MINIMAL SPACE USE RECOMMENDATIONS

Note: These setbacks are for the bike pump and work stand when installed together

- Public Work Stand
- Walls or Object Setbacks: Minimum 48"
- Parallel Wall Setbacks: Minimum 12"
- Perpendicular Street Setbacks: Minimum 60"
- Parallel Street Setbacks: Minimum 96"
- *These are our suggested minimal clearances
- Outdoor Public Bike Pump
- Mount in line with the flange for the Work Stand maximum 6" away.

