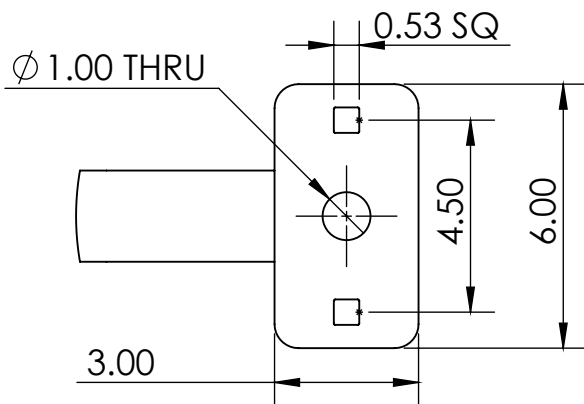
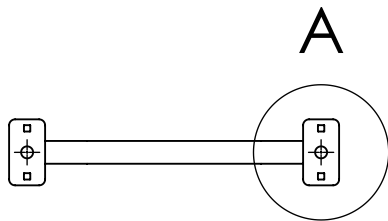
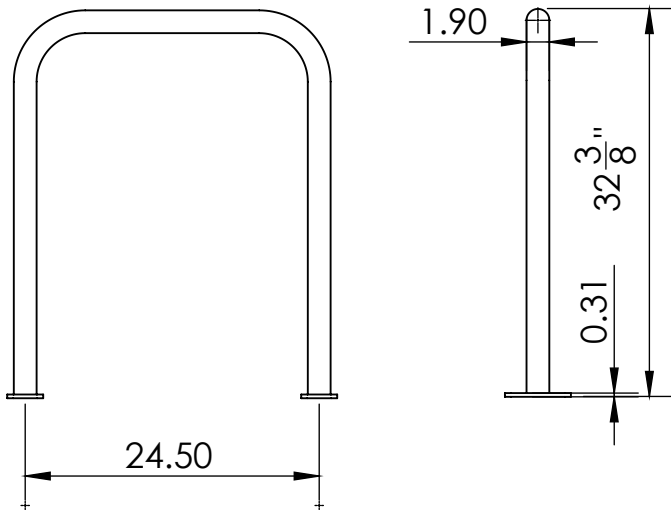


# INVERTED U - HOOP RUNNER - HR101

## Cut Sheet & Quick Specifications



**DETAIL A**  
**SCALE 1 : 4**

### MATERIALS

HSS 1.9" steel tubing ASTM A53  
 U-Lock Compatible

### FINISH

Galvanized  
 Galvanized to ASTM A123/A123M-12

DuraPlas Black™

### MOUNTING

Surface Mount (Anchors sold separately)

### SPACE USE\*

Wall Setbacks:

For racks parallel to a wall  
 Minimum: 24"

For racks perpendicular to a wall  
 Minimum: 34"

Distance between racks  
 Minimum: 24"

Street Setbacks:

For racks parallel to the street  
 Minimum: 24"

\*suggested minimal clearances