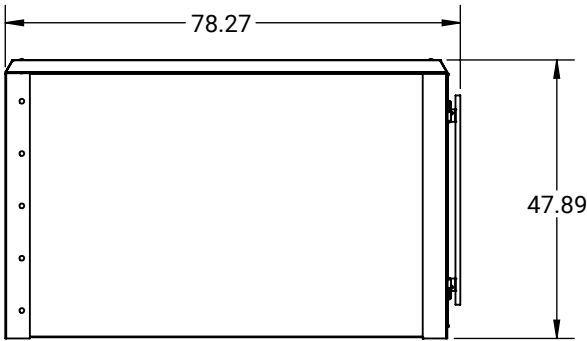
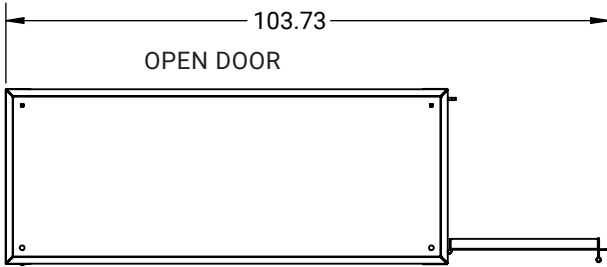


CLOSED DOOR



OPEN DOOR



MATERIALS & FEATURES

- 1 bicycle secured - long-term parking solution (Class 1)
- ASTM A36 High Security Expanded Steel Walls
- ASTM A53 Steel Pipe Handle
- 8x stainless Bolt & Washer
- 18x Hot Dipped Galvanized, Bolt, Nut & Washer
- Optional 8x Stainless Trident Security Nut (Upgrade)

FINISH

- DuraPlas® Black Thermoplastic

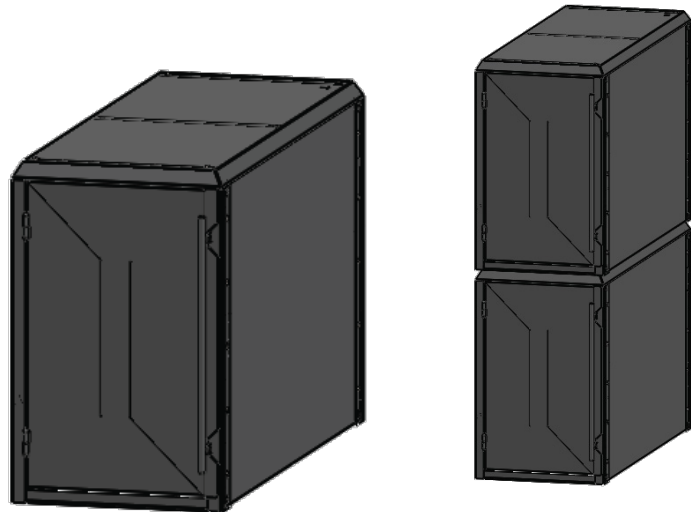
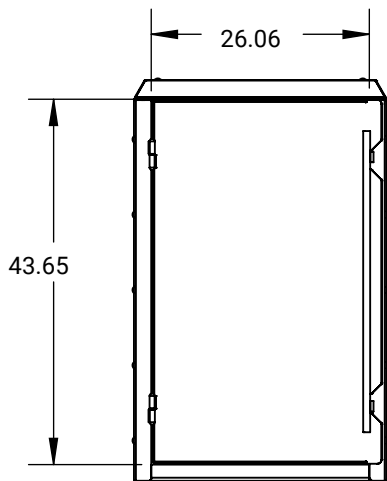
MOUNTING OPTIONS

- Surface mount - Concrete (Anchors Sold Separately)
- Surface mount - Asphalt/Pavers (Anchors Sold Separately)

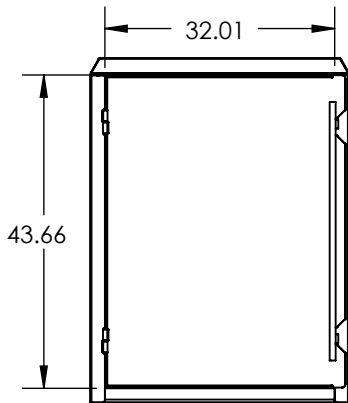
SPACE USE RECOMMENDATIONS

- Front of locker to wall setback (door swing clearance)
 - Minimum: 48"
 - Recommended: 60"
- Parallel to a wall
 - Less than 3" or more than 9"***
- Distance between lockers
 - Less than 3" or more than 9"***

*** Child safety requirements



Additional Configuration



MATERIALS & FEATURES

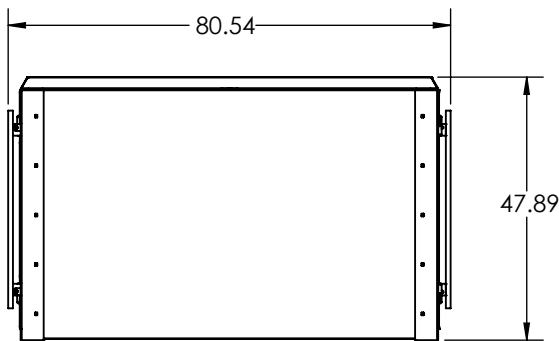
- 2 bicycles secured - long-term parking solution (Class 1)
- ASTM A36 High Security Expanded Steel Walls
- ASTM A53 Steel Pipe Handle
- 8x stainless Bolt & Washer
- 18x Hot Dipped Galvanized, Bolt, Nut & Washer
- Optional 8x Stainless Trident Security Nut (Upgrade)

FINISH

- DuraPlas® Black Thermoplastic

MOUNTING OPTIONS

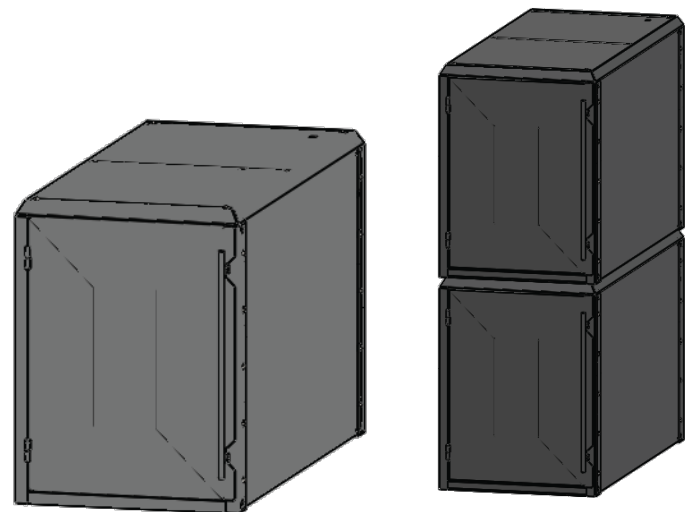
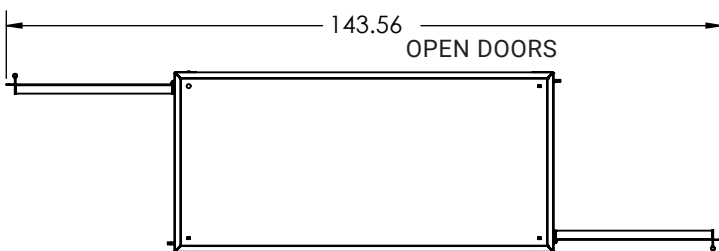
- Surface mount - Concrete (Anchors Sold Separately)
- Surface mount - Asphalt/Pavers (Anchors Sold Separately)



SPACE USE RECOMMENDATIONS

- Front of locker to wall setback (door swing clearance)
 - Minimum: 48"
 - Recommended: 60"
- Parallel to a wall
 - Less than 3" or more than 9"***
- Distance between lockers
 - Less than 3" or more than 9"***

*** Child safety requirements



Additional Configuration