

MATERIALS

Thick-walled DOM tubing
 TIG welded to laser-cut steel
 Stainless steel aircraft cable

FINISH

UV Resistant Powder Coat (Red Or Black)

MOUNTING

Surface Mount
 Bolts to concrete with 3/8" anchors
 Note: this unit is to be mounted to concrete only.

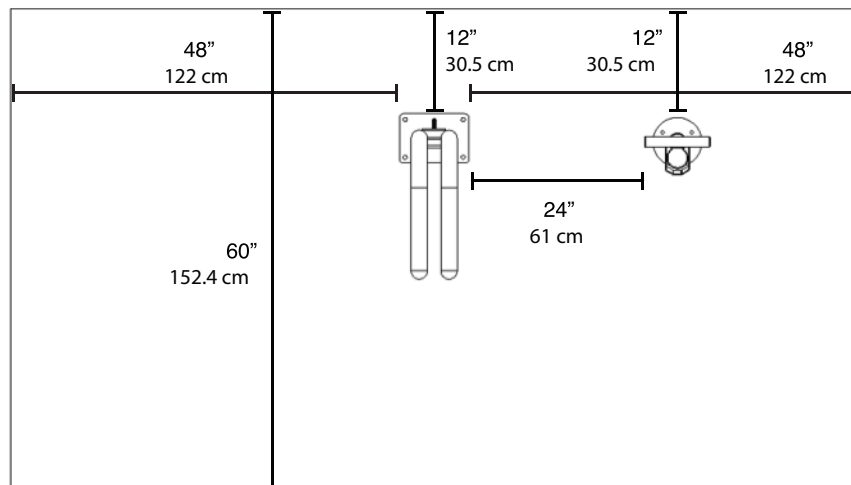
MINIMAL SPACE USE RECOMMENDATION

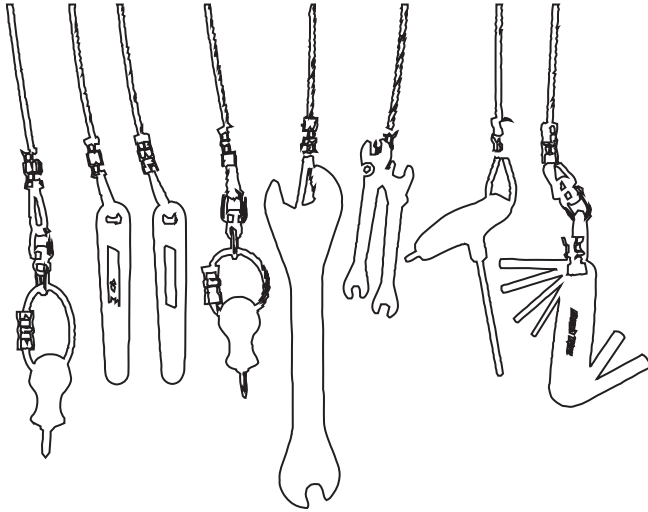
NOTE: These setbacks are for the bike pump and work stand when installed together

- Public Work Stand
- Walls or Object Setbacks: Minimum 48"
- Parallel Wall Setbacks: Minimum 12"
- Perpendicular Street Setbacks: Minimum 60"
- Parallel Street Setbacks: Minimum 96"

*These are our suggested minimal clearances

Public Bike Pump or High Security Bike Pump
 Mount in-line with the flange for the Work Stand
 maximum 24" away.





TOOLS

- Hex key set
- Torx T-25
- Steel core tire levers (2)
- Adjustable wrench
- 13/15mm cone wrench
- Philips & standard screwdrivers