

**MATERIALS & FEATURES**

- Offset® vertical bike docks mounted to a free standing system
- Zinc plated steel Dock mounting hardware
- Bikes are offset by 12.5" (**See cut sheet for Offset® Vertical**)
- Single sided freestanding vertical bike parking system
- Electro galvanized U-rails, zinc plated mounting hardware
- 1.9" Kick Tube, hot-dipped galvanized steel pipe
- 2 Universal support towers, thermoplastic coated steel
- 2 Universal free-standing legs, thermoplastic coated
- Tower Assembly Hardware Kit, hot-dipped galvanized steel

**FINISH**

- Duraplas™ black towers
- Electro-galvanized rails
- Hot-dipped galvanized tubing

**CONFIGURATIONS & FOOTPRINT W/BIKES**

- CS8 73 3/4" L x 152" W x 92" H - 8 bikes secured\*
  - CS12 102 1/4" L x 152" W x 92" H - 12 bikes secured\*
  - CS16 130 3/4" L x 152" W x 92" H - 16 bikes secured\*
  - CS20 156" L x 152" W x 92" H - 20 bikes secured\*
- Add on units are available in multiples of four (CSA8 - CSA20)  
 \*Includes loading zone.

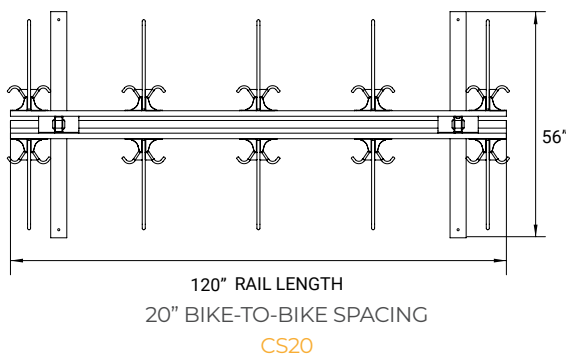
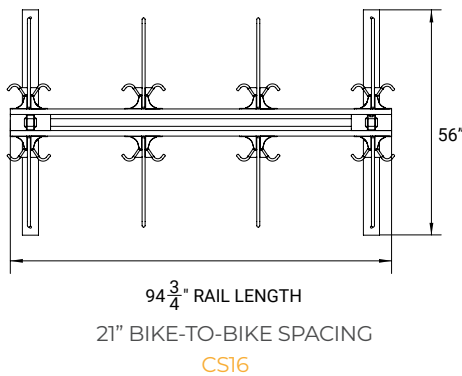
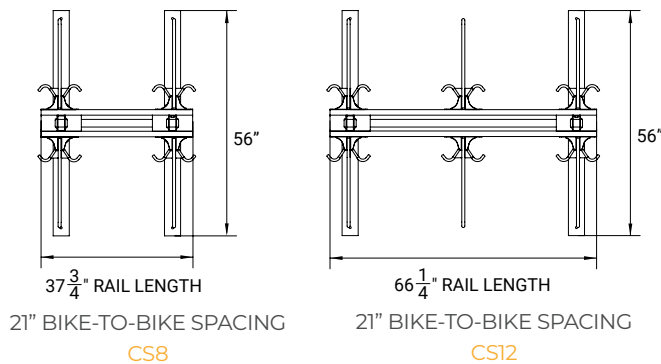
**MOUNTING OPTIONS**

- Free standing
- Surface (**Optional**)

**SPACE USE RECOMMENDATIONS**

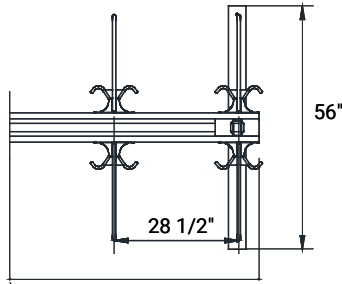
Racks can be spaced 31.5" (**for 24" bike-to-bike spacing**) or 28.5" (**for 21" bike-to-bike spacing**) apart  
 Ceiling height: minimum 92"  
 Loading zone: recommended 48" - 72"  
 Distance to wall: Minimum 18" from end of freestanding rack

Add on units are available in multiples of four. Please contact us or see the CSA models for more information.  
 For single sided freestanding vertical bike parking systems, see our Side Stage™ models.

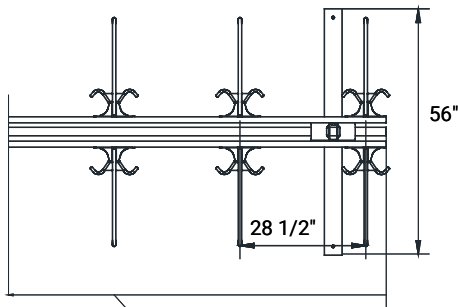


# Center Stage™ Free Standing Vertical Rack System Add On

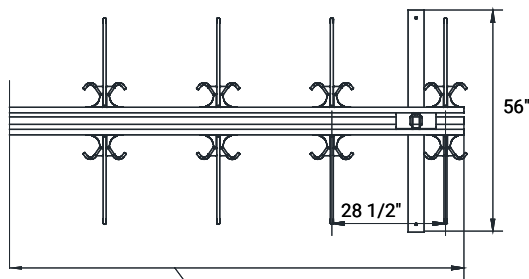
..... Cut Sheet & Quick Specifications



**56" RAILLENGTH**  
 21" BIKE-TO-BIKE SPACING  
 CS8



**84" RAILLENGTH**  
 21" BIKE-TO-BIKE SPACING  
 CS12



**111 1/4" RAILLENGTH**  
 21" BIKE-TO-BIKE SPACING  
 CS16

## MATERIALS & FEATURES

- Offset® vertical bike docks mounted to a free standing system
- Zinc plated steel Dock mounting hardware
- Bikes are offset by 12.5" (**See cut sheet for Offset® Vertical**)
- Single sided freestanding vertical bike parking system
- Electro galvanized U-rails, zinc plated mounting hardware
- 1.9" Kick Tube, hot-dipped galvanized steel pipe
- 2 Universal support towers, thermoplastic coated steel
- 2 Universal free-standing legs, thermoplastic coated
- Tower Assembly Hardware Kit, hot-dipped galvanized steel

## FINISH

Duraplas™ black towers  
 Electro-galvanized rails  
 Hot-dipped galvanized tubing

## CONFIGURATIONS & FOOTPRINT W/BIKES

- CSA8 56"L x 152"W x 92"H - 8 bikes secured\*
- CSA12 84"L x 152"W x 92"H - 12 bikes secured\*
- CSA16 111.25"L x 152"W x 92"H - 16 bikes secured\*

\*Includes minimum loading zone, 48"

## MOUNTING OPTIONS

- Free standing
- Surface (**Optional**)

## SPACE USE RECOMMENDATIONS

Racks can be spaced 31.5" (**for 24" bike-to-bike spacing**) or 28.5" (**for 21" bike-to-bike spacing**) apart  
 Ceiling height: minimum 92"  
 Loading zone: recommended 48" - 72"  
 Distance to wall: Minimum 18" from end of freestanding rack