

Product Submittal Sheet  
 UNDERGRAD BIKE DOCK® 3-Bike

**MOUNTING**

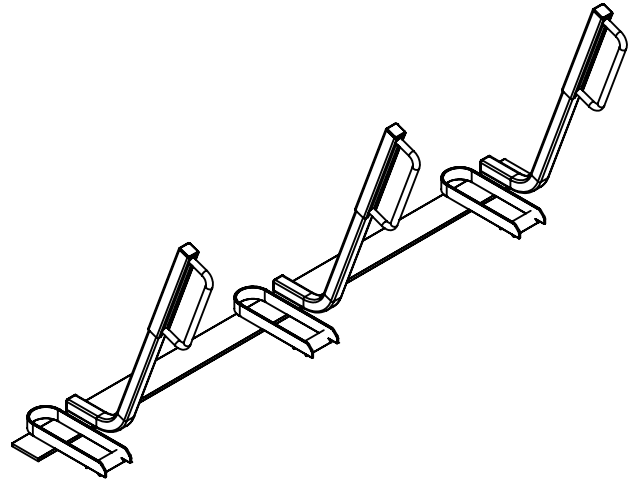
- Surface Mount - Concrete (Anchors sold separately)
- Surface Mount - Asphalt/Pavers (Anchors sold separately)

**FINISH OPTIONS**

- DuraPlas® Black (Standard)
- Hot Dipped Galvanized (Custom)

**MATERIALS & FEATURES**

- 1 Bicycle Secured Per Pocket - Long or short term parking
- 3/4" Solid Steel Rod Locking Loop
- Black extruded guards protect from metal on metal contact
- Wheel pockets control footprint
- Meets and exceeds APBP bike parking guidelines

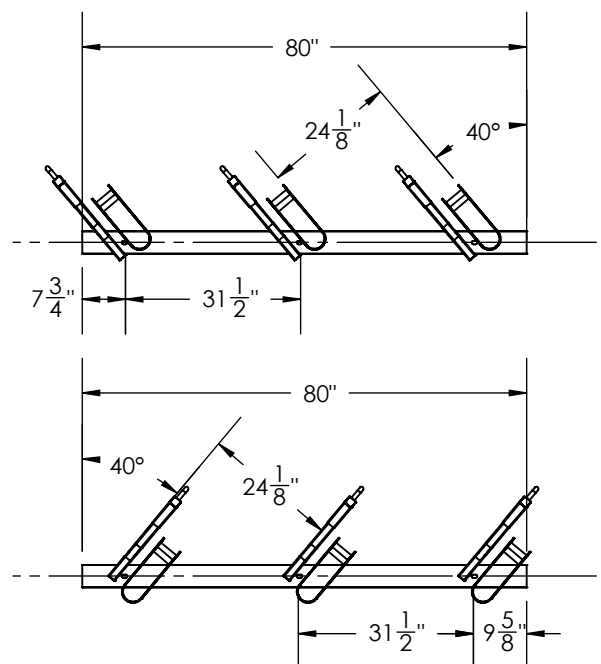
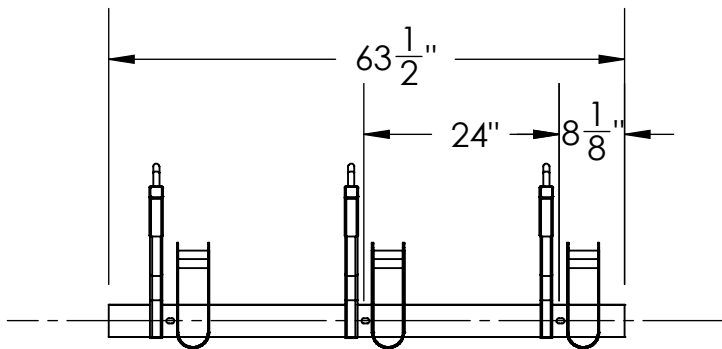


**RAIL CONFIGURATIONS**

- Racks can be positioned perpendicular to the rail, right-entry, or left-entry (Shown left, top right, bottom right)
- Racks are single-sided (3 bike, 4 bike, 5 bike) or double-sided (6 bike, 8 bike, 10 bike) - **3-bike above and below**

**SPACE USE**

- Racks perpendicular to wall - Minimum 10" to edge of rail - Minimum 8" to edge for racks installed diagonally
- Racks parallel to side wall - Minimum 16" from wall to center of first wheel pocket
- Distance between rails - 31.5" between wheel pockets for uniformity



Product Submittal Sheet  
**UNDERGRAD BIKE DOCK® 4-Bike**

**MOUNTING**

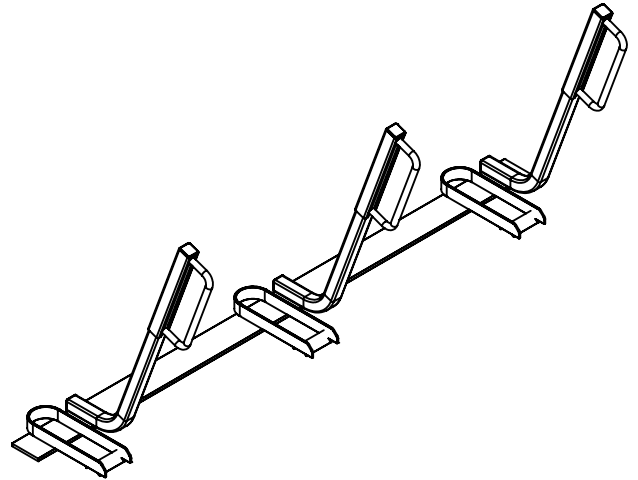
- Surface Mount - Concrete (Anchors sold separately)
- Surface Mount - Asphalt/Pavers (Anchors sold separately)

**FINISH OPTIONS**

- DuraPlas® Black (Standard)
- Hot Dipped Galvanized (Custom)

**MATERIALS & FEATURES**

- 1 Bicycle Secured Per Pocket - Long or short term parking
- 3/4" Solid Steel Rod Locking Loop
- Black extruded guards protect from metal on metal contact
- Wheel pockets control footprint
- Meets and exceeds APBP bike parking guidelines

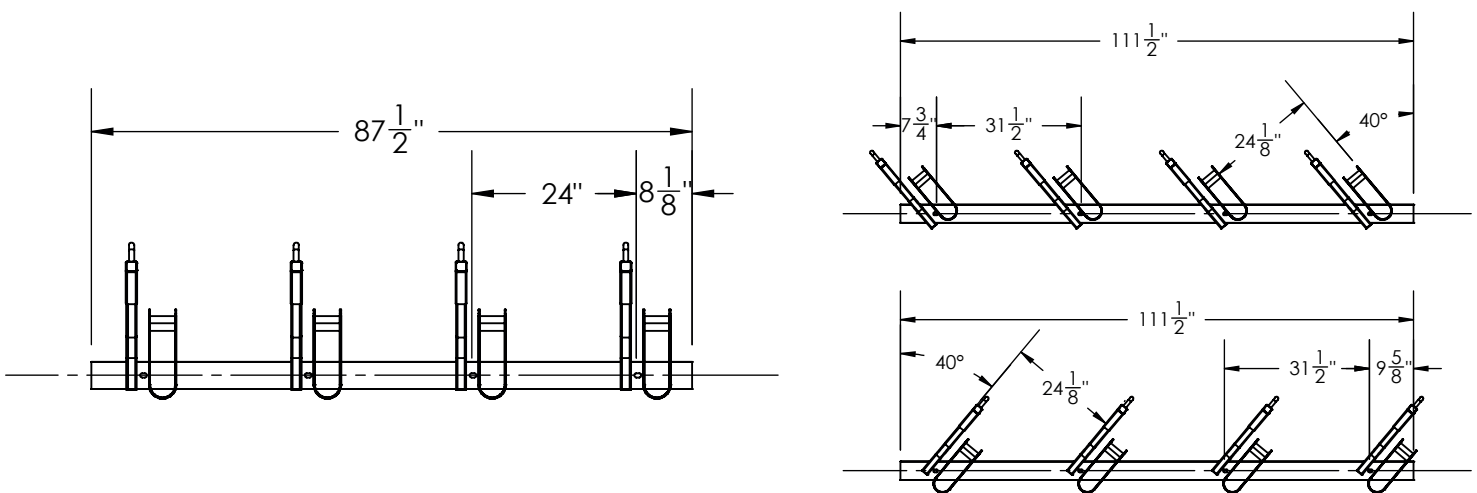


**RAIL CONFIGURATIONS**

- Racks can be positioned perpendicular to the rail, right-entry, or left-entry (Shown left, top right, bottom right)
- Racks are single-sided (3 bike, 4 bike, 5 bike) or double-sided (6 bike, 8 bike, 10 bike) - **4 bike shown below**

**SPACE USE**

- Racks perpendicular to wall - Minimum 10" to edge of rail - Minimum 8" to edge for racks installed diagonally
- Racks parallel to side wall - Minimum 16" from wall to center of first wheel pocket
- Distance between rails - 31.5" between wheel pockets for uniformity



Product Submittal Sheet  
 UNDERGRAD BIKE DOCK® 5-Bike

**MOUNTING**

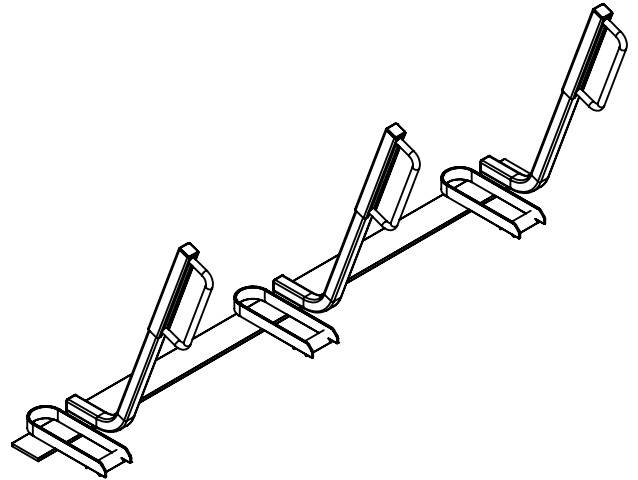
- Surface Mount - Concrete (Anchors sold separately)
- Surface Mount - Asphalt/Pavers (Anchors sold separately)

**FINISH OPTIONS**

- DuraPlas® Black (Standard)
- Hot Dipped Galvanized (Custom)

**MATERIALS & FEATURES**

- 1 Bicycle Secured Per Pocket - Long or short term parking
- 3/4" Solid Steel Rod Locking Loop
- Black extruded guards protect from metal on metal contact
- Wheel pockets control footprint
- Meets and exceeds APBP bike parking guidelines

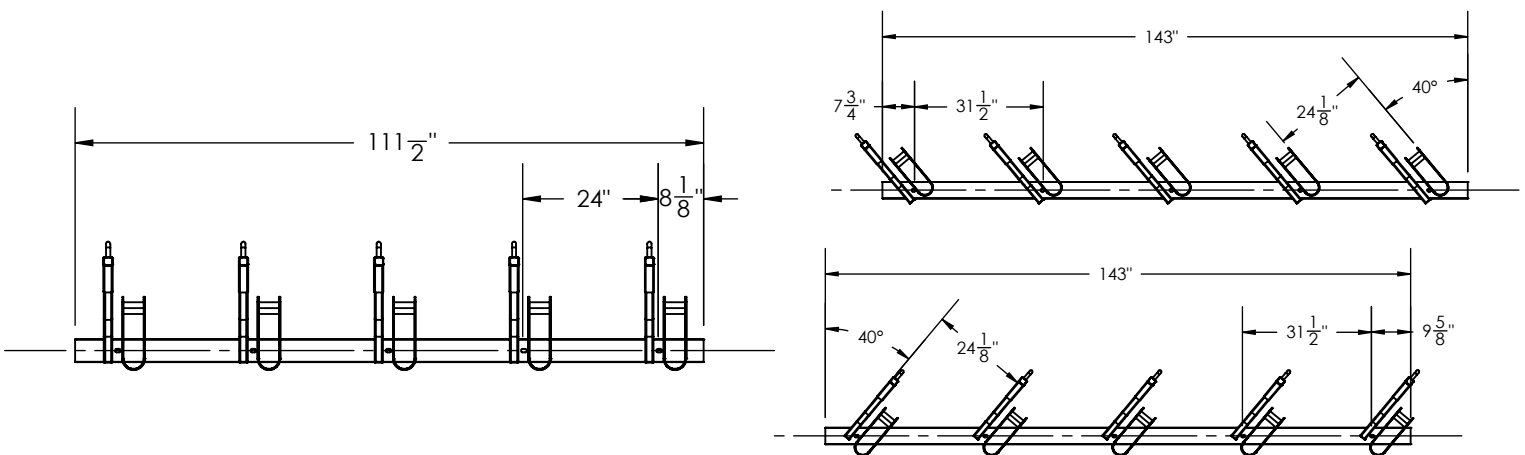


**RAIL CONFIGURATIONS**

- Racks can be positioned perpendicular to the rail, right-entry, or left-entry (Shown left, top right, bottom right)
- Racks are single-sided (3 bike, 4 bike, 5 bike) or double-sided (6 bike, 8 bike, 10 bike) - **5 bike shown below**

**SPACE USE**

- Racks perpendicular to wall - Minimum 10" to edge of rail - Minimum 8" to edge for racks installed diagonally
- Racks parallel to side wall - Minimum 16" from wall to center of first wheel pocket
- Distance between rails - 31.5" between wheel pockets for uniformity





Product Submittal Sheet  
 UNDERGRAD BIKE DOCK® 8-Bike

**MOUNTING**

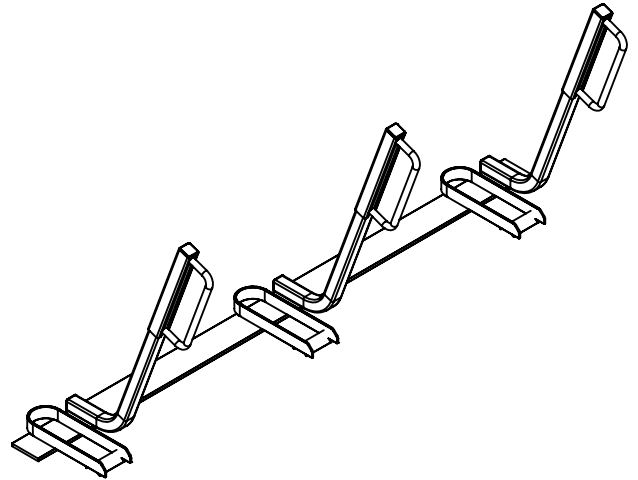
- Surface Mount - Concrete (Anchors sold separately)
- Surface Mount - Asphalt/Pavers (Anchors sold separately)

**FINISH OPTIONS**

- DuraPlas® Black (Standard)
- Hot Dipped Galvanized (Custom)

**MATERIALS & FEATURES**

- 1 Bicycle Secured Per Pocket - Long or short term parking
- 3/4" Solid Steel Rod Locking Loop
- Black extruded guards protect from metal on metal contact
- Wheel pockets control footprint
- Meets and exceeds APBP bike parking guidelines

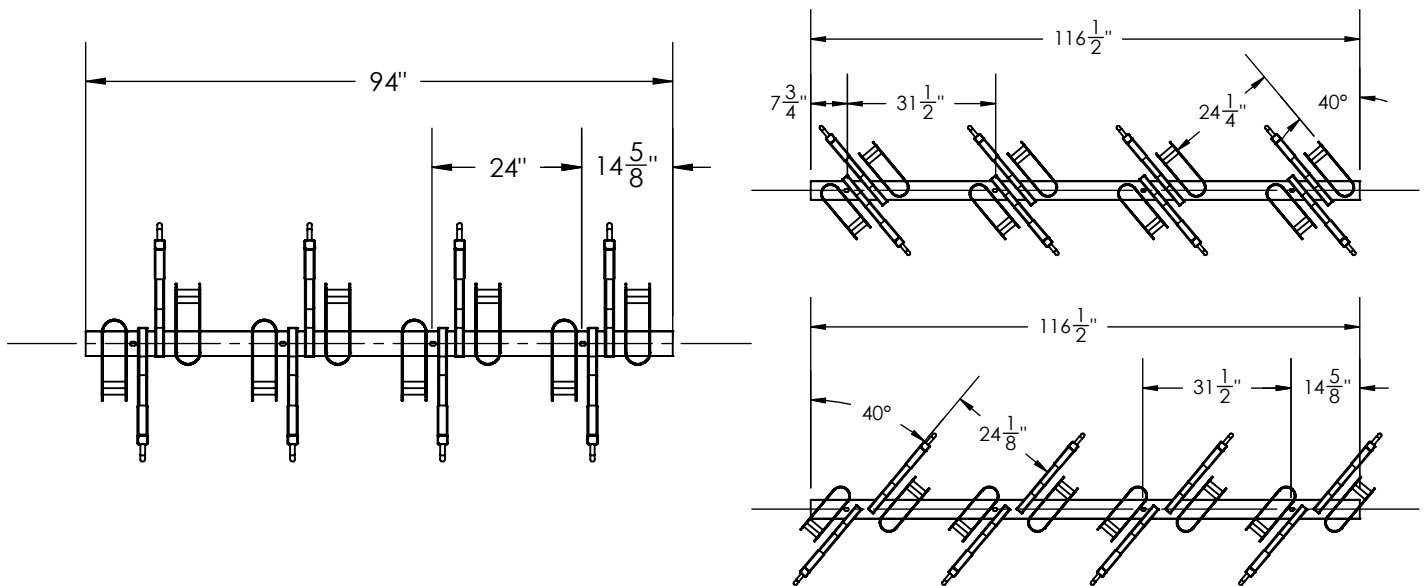


**RAIL CONFIGURATIONS**

- Racks can be positioned perpendicular to the rail, right-entry, or left-entry (Shown left, top right, bottom right)
- Racks are single-sided (3 bike, 4 bike, 5 bike) or double-sided (6 bike, 8 bike, 10 bike) - **8 bike shown below**

**SPACE USE**

- Racks perpendicular to wall - Minimum 10" to edge of rail - Minimum 8" to edge for racks installed diagonally
- Racks parallel to side wall - Minimum 16" from wall to center of first wheel pocket
- Distance between rails - 31.5" between wheel pockets for uniformity



Product Submittal Sheet  
 UNDERGRAD BIKE DOCK® 10-Bike

**MOUNTING**

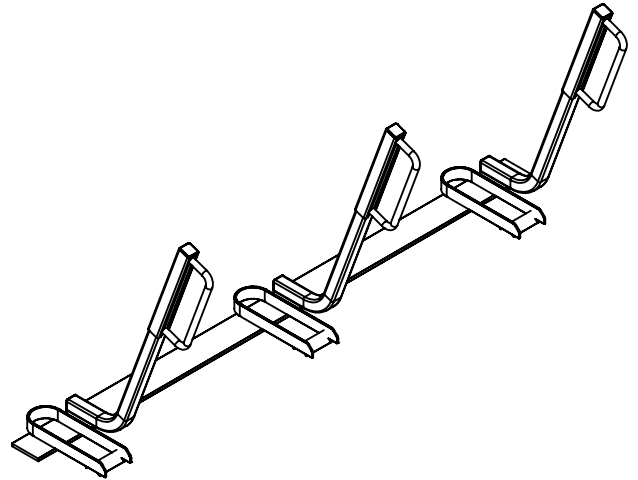
- Surface Mount - Concrete (Anchors sold separately)
- Surface Mount - Asphalt/Pavers (Anchors sold separately)

**FINISH OPTIONS**

- DuraPlas® Black (Standard)
- Hot Dipped Galvanized (Custom)

**MATERIALS & FEATURES**

- 1 Bicycle Secured Per Pocket - Long or short term parking
- 3/4" Solid Steel Rod Locking Loop
- Black extruded guards protect from metal on metal contact
- Wheel pockets control footprint
- Meets and exceeds APBP bike parking guidelines



**RAIL CONFIGURATIONS**

- Racks can be positioned perpendicular to the rail, right-entry, or left-entry (Shown left, top right, bottom right)
- Racks are single-sided (3 bike, 4 bike, 5 bike) or double-sided (6 bike, 8 bike, 10 bike) - **10 bike shown below**

**SPACE USE**

- Racks perpendicular to wall - Minimum 10" to edge of rail - Minimum 8" to edge for racks installed diagonally
- Racks parallel to side wall - Minimum 16" from wall to center of first wheel pocket
- Distance between rails - 31.5" between wheel pockets for uniformity

