

MATERIALS & FEATURES

- 1 Bicycle Secured Per Pocket - Long or short term parking
- 3/4" Solid Steel Rod Locking Loop
- Black extruded guards protect from metal on metal contact
- Wheel pockets control footprint
- Meets and exceeds APBP bike parking guidelines

FINISH OPTIONS

- DuraPlas® Black (**Standard**)
- Hot Dipped Galvanize (**Custom**)

MOUNTING OPTIONS

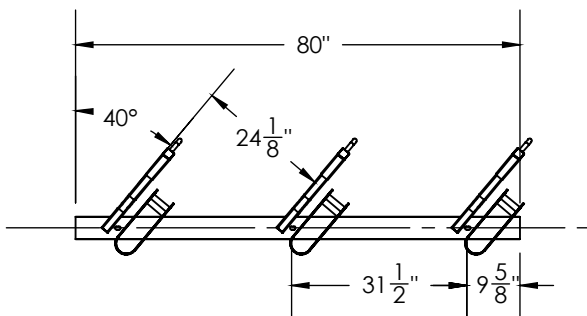
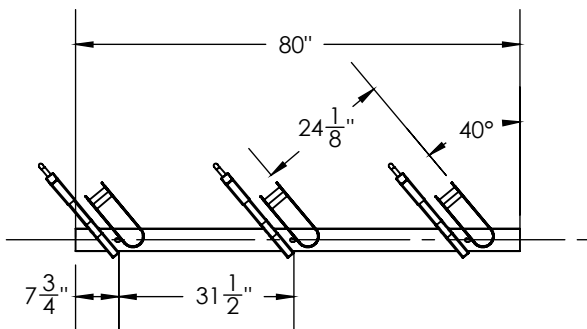
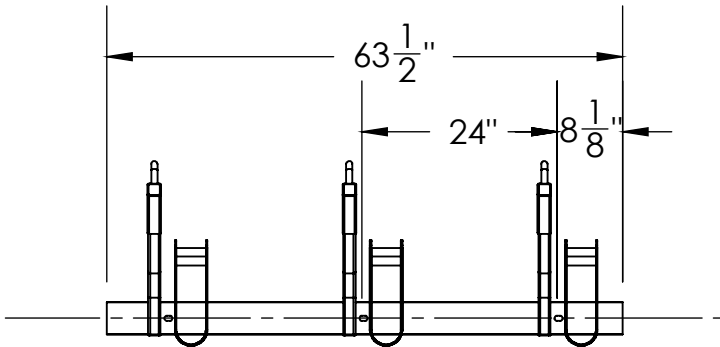
- Surface mount - Concrete (**Anchors Sold Separately**)
- Surface mount - Asphalt/Pavers (**Anchors Sold Separately**)

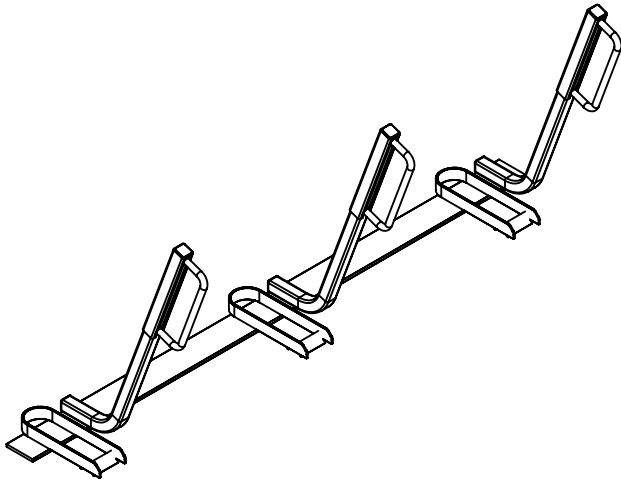
SPACE USE RECOMMENDATIONS

- Racks perpendicular to wall - Minimum 10" to edge of rail - Minimum 8" to edge for racks installed diagonally
- Racks parallel to side wall - Minimum 16" from wall to center of first wheel pocket
- Distance between rails - 31.5" between wheel pockets for uniformity

RAIL CONFIGURATIONS

- Racks can be positioned perpendicular to the rail, right-entry, or left-entry (Shown left, top right, bottom right)
- Racks are single-sided (3 bike, 4 bike, 5 bike) or double-sided (6 bike, 8 bike, 10 bike) - **3-bike above and below**





MATERIALS & FEATURES

- 1 Bicycle Secured Per Pocket - Long or short term parking
- 3/4" Solid Steel Rod Locking Loop
- Black extruded guards protect from metal on metal contact
- Wheel pockets control footprint
- Meets and exceeds APBP bike parking guidelines

FINISH OPTIONS

- DuraPlas® Black (**Standard**)
- Hot Dipped Galvanize (**Custom**)

MOUNTING OPTIONS

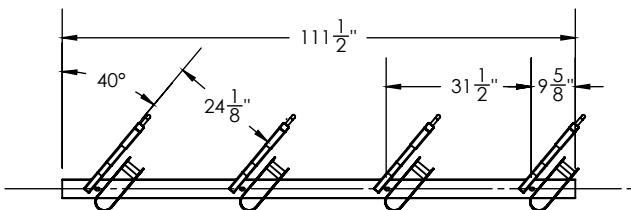
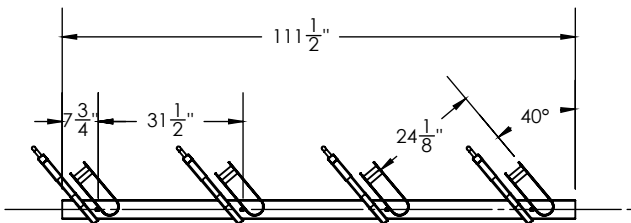
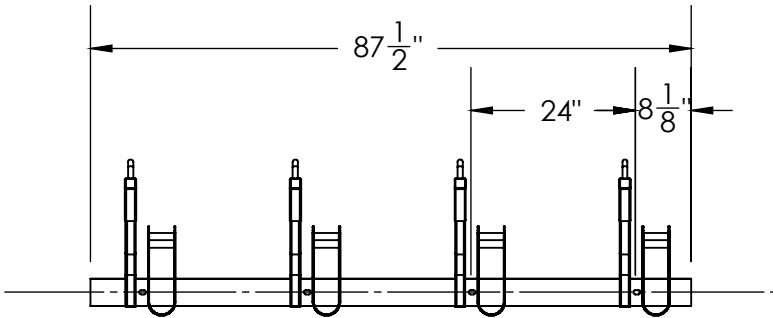
- Surface mount - Concrete (**Anchors Sold Separately**)
- Surface mount - Asphalt/Pavers (**Anchors Sold Separately**)

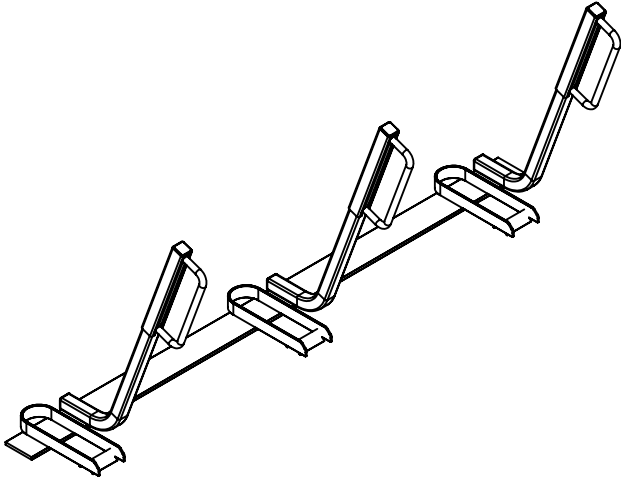
SPACE USE RECOMMENDATIONS

- Racks perpendicular to wall - Minimum 10" to edge of rail - Minimum 8" to edge for racks installed diagonally
- Racks parallel to side wall - Minimum 16" from wall to center of first wheel pocket
- Distance between rails - 31.5" between wheel pockets for uniformity

RAIL CONFIGURATIONS

- Racks can be positioned perpendicular to the rail, right-entry, or left-entry (Shown left, top right, bottom right)
- Racks are single-sided (3 bike, 4 bike, 5 bike) or double-sided (6 bike, 8 bike, 10 bike) - **4 bike shown below**





MATERIALS & FEATURES

- 1 Bicycle Secured Per Pocket - Long or short term parking
- 3/4" Solid Steel Rod Locking Loop
- Black extruded guards protect from metal on metal contact
- Wheel pockets control footprint
- Meets and exceeds APBP bike parking guidelines

FINISH OPTIONS

- DuraPlas® Black (**Standard**)
- Hot Dipped Galvanize (**Custom**)

MOUNTING OPTIONS

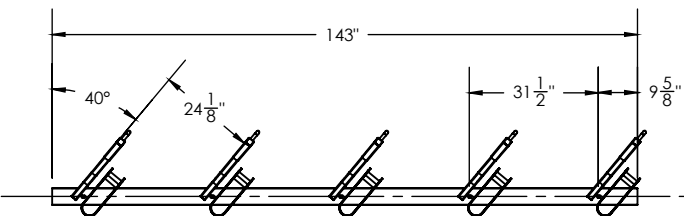
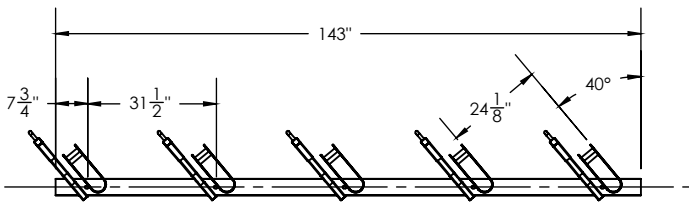
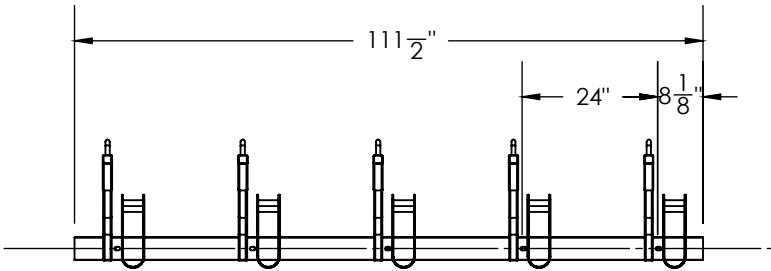
- Surface mount - Concrete (**Anchors Sold Separately**)
- Surface mount - Asphalt/Pavers (**Anchors Sold Separately**)

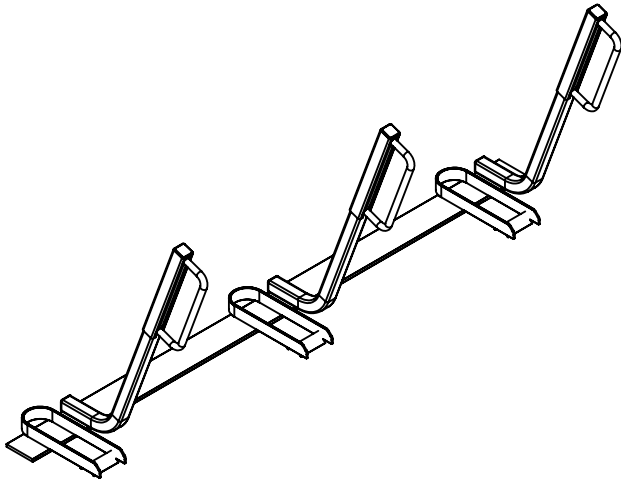
SPACE USE RECOMMENDATIONS

- Racks perpendicular to wall - Minimum 10" to edge of rail - Minimum 8" to edge for racks installed diagonally
- Racks parallel to side wall - Minimum 16" from wall to center of first wheel pocket
- Distance between rails - 31.5" between wheel pockets for uniformity

RAIL CONFIGURATIONS

- Racks can be positioned perpendicular to the rail, right-entry, or left-entry (Shown left, top right, bottom right)
- Racks are single-sided (3 bike, 4 bike, 5 bike) or double-sided (6 bike, 8 bike, 10 bike) - **5 bike shown below**





MATERIALS & FEATURES

- 1 Bicycle Secured Per Pocket - Long or short term parking
- 3/4" Solid Steel Rod Locking Loop
- Black extruded guards protect from metal on metal contact
- Wheel pockets control footprint
- Meets and exceeds APBP bike parking guidelines

FINISH OPTIONS

- DuraPlas® Black (**Standard**)
- Hot Dipped Galvanize (**Custom**)

MOUNTING OPTIONS

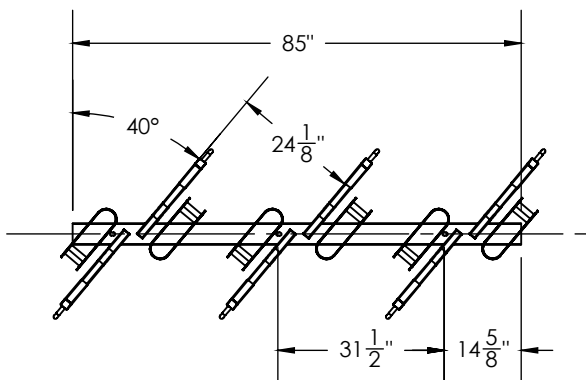
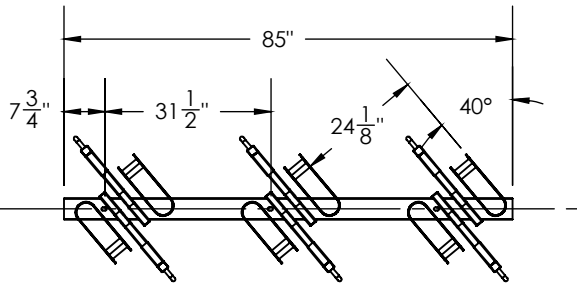
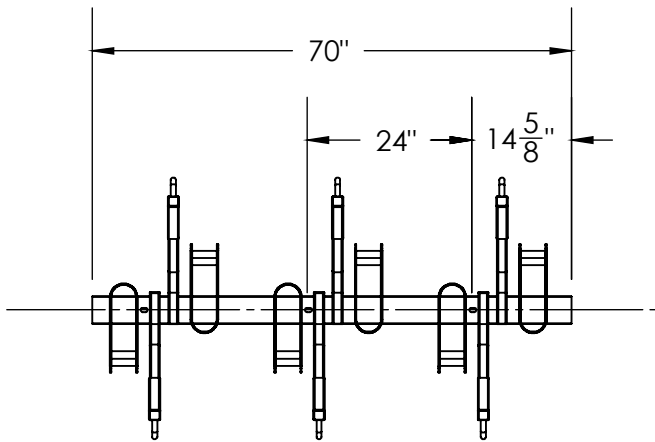
- Surface mount - Concrete (**Anchors Sold Separately**)
- Surface mount - Asphalt/Pavers (**Anchors Sold Separately**)

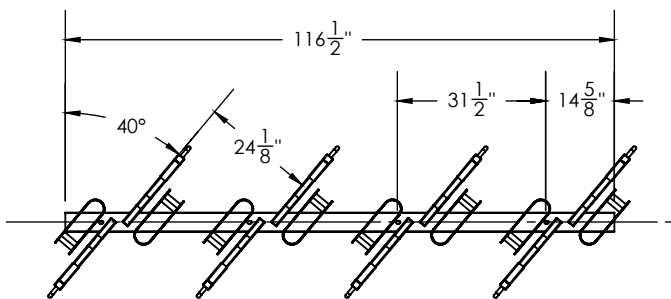
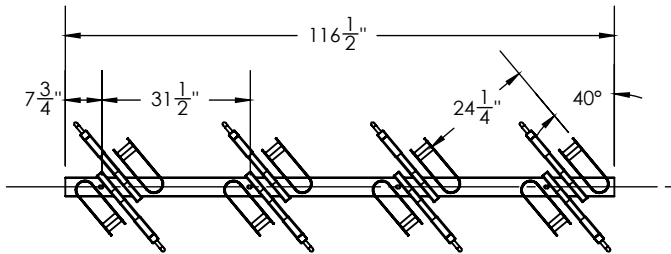
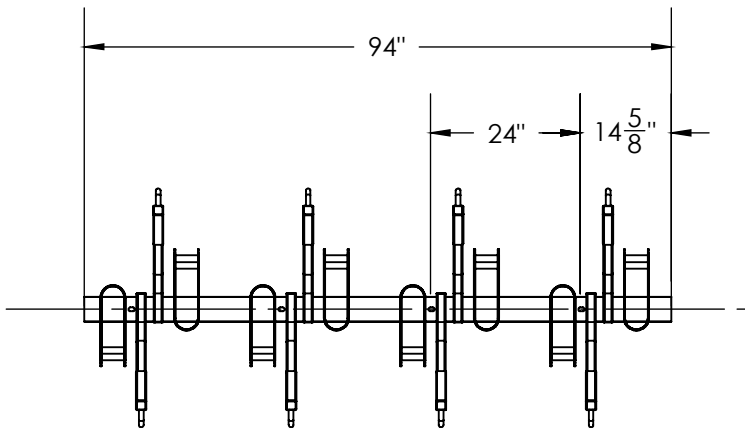
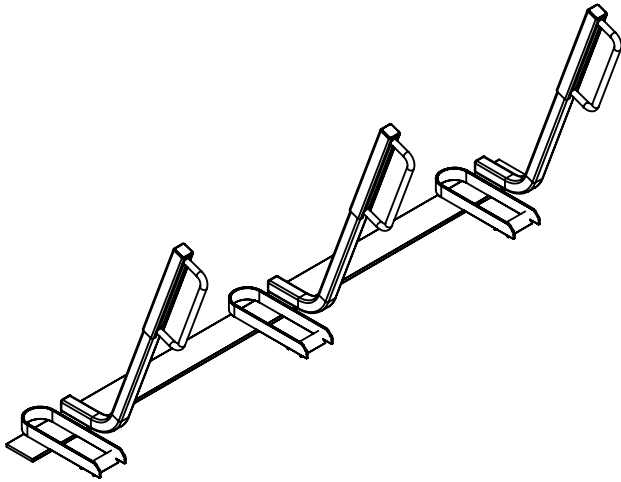
SPACE USE RECOMMENDATIONS

- Racks perpendicular to wall - Minimum 10" to edge of rail - Minimum 8" to edge for racks installed diagonally
- Racks parallel to side wall - Minimum 16" from wall to center of first wheel pocket
- Distance between rails - 31.5" between wheel pockets for uniformity

RAIL CONFIGURATIONS

- Racks can be positioned perpendicular to the rail, right-entry, or left-entry (Shown left, top right, bottom right)
- Racks are single-sided (3 bike, 4 bike, 5 bike) or double-sided (6 bike, 8 bike, 10 bike) - **6 bike shown below**





MATERIALS & FEATURES

- 1 Bicycle Secured Per Pocket - Long or short term parking
- 3/4" Solid Steel Rod Locking Loop
- Black extruded guards protect from metal on metal contact
- Wheel pockets control footprint
- Meets and exceeds APBP bike parking guidelines

FINISH OPTIONS

- DuraPlas® Black (**Standard**)
- Hot Dipped Galvanize (**Custom**)

MOUNTING OPTIONS

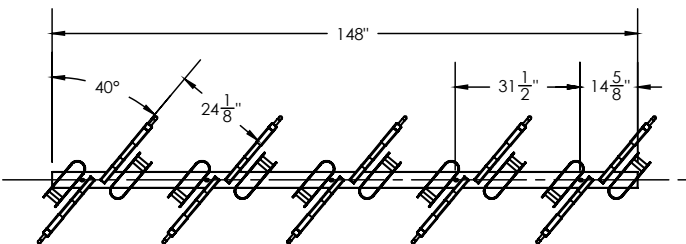
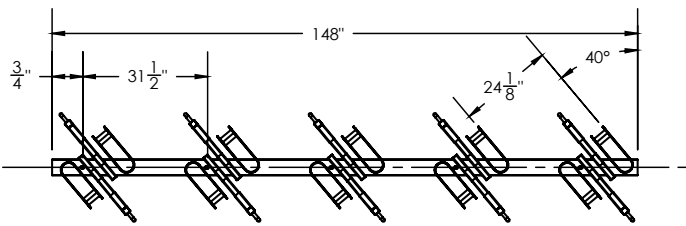
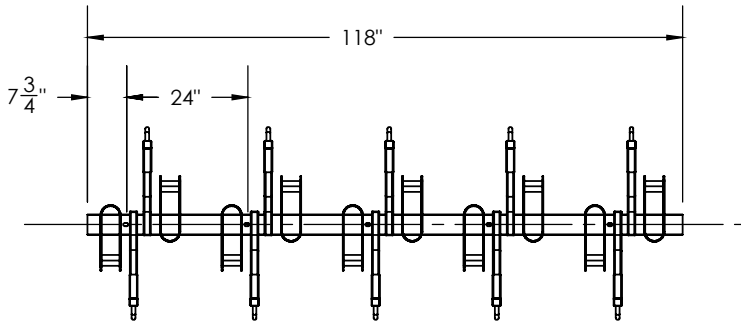
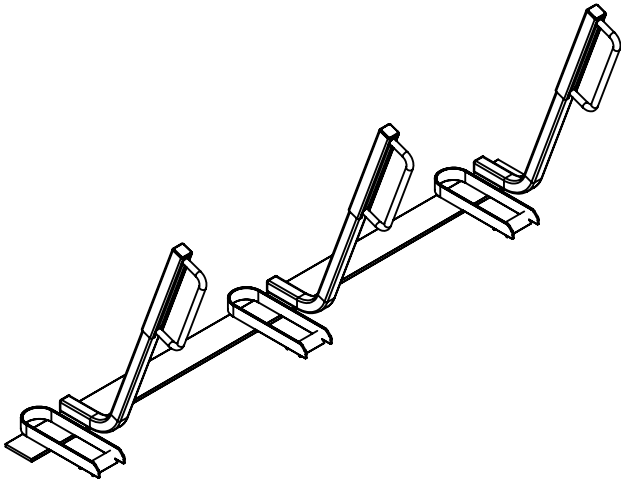
- Surface mount - Concrete (**Anchors Sold Separately**)
- Surface mount - Asphalt/Pavers (**Anchors Sold Separately**)

SPACE USE RECOMMENDATIONS

- Racks perpendicular to wall - Minimum 10" to edge of rail - Minimum 8" to edge for racks installed diagonally
- Racks parallel to side wall - Minimum 16" from wall to center of first wheel pocket
- Distance between rails - 31.5" between wheel pockets for uniformity

RAIL CONFIGURATIONS

- Racks can be positioned perpendicular to the rail, right-entry, or left-entry (Shown left, top right, bottom right)
- Racks are single-sided (3 bike, 4 bike, 5 bike) or double-sided (6 bike, 8 bike, 10 bike) - **8 bike shown below**



MATERIALS & FEATURES

- 1 Bicycle Secured Per Pocket - Long or short term parking
- 3/4" Solid Steel Rod Locking Loop
- Black extruded guards protect from metal on metal contact
- Wheel pockets control footprint
- Meets and exceeds APBP bike parking guidelines

FINISH OPTIONS

- DuraPlas® Black (**Standard**)
- Hot Dipped Galvanize (**Custom**)

MOUNTING OPTIONS

- Surface mount - Concrete (**Anchors Sold Separately**)
- Surface mount - Asphalt/Pavers (**Anchors Sold Separately**)

SPACE USE RECOMMENDATIONS

- Racks perpendicular to wall - Minimum 10" to edge of rail - Minimum 8" to edge for racks installed diagonally
- Racks parallel to side wall - Minimum 16" from wall to center of first wheel pocket
- Distance between rails - 31.5" between wheel pockets for uniformity

RAIL CONFIGURATIONS

- Racks can be positioned perpendicular to the rail, right-entry, or left-entry (Shown left, top right, bottom right)
- Racks are single-sided (3 bike, 4 bike, 5 bike) or double-sided (6 bike, 8 bike, 10 bike) - **10 bike shown below**