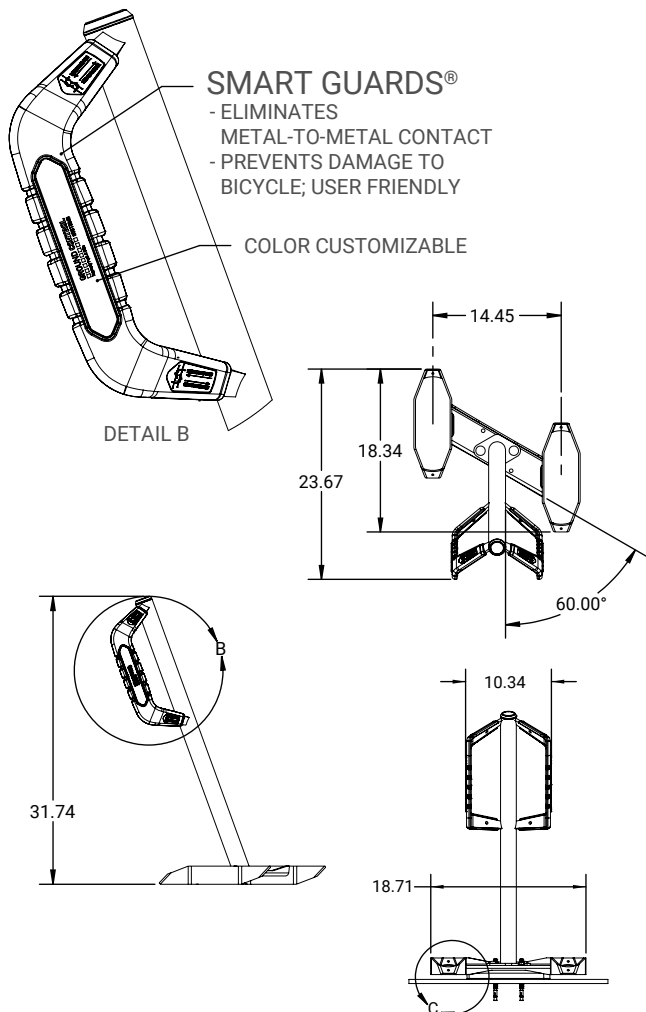


GROUND CONTROL

SYSTEMS®
Innovative Bike & Board Parking

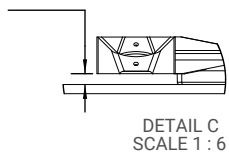
VARSITY® BIKE DOCK® - DV215

Cut Sheet & Quick Specifications



ELEVATED DECK

- EASY REMOVAL OF DEBRIS.
- ELIMINATES CONTACT BETWEEN THE DOCK AND THE GROUND
- PREVENTS ELECTROLYSIS
- REDUCES CORROSION
- EXTENDS THE LIFE OF THE DOCK



MATERIALS & FEATURES

- 2 bicycles secured - long term or short term parking solution*
- Black or Silver injection molded urethane Smart Guards
- Steel locking loops
- Wheel pocket docks
- PC/ABS injection molded cap
- Smart and Safe bicycle parking video QR tag

FINISH OPTIONS

- DuraPlas® Black or Silver Thermoplastic
- (Standard) Hot Dipped Galvanized (Marine Environment)

MOUNTING OPTIONS

- Surface mount - Concrete (Anchors Sold Separately)
- Surface mount - Asphalt/Pavers (Anchors Sold Separately)
- In-ground mount - Stinger (Stinger Sold Separately)

SMART GUARD LABEL OPTIONS

- Ground Control Systems Label (Standard)
- Custom - Put your Brand, Logo, or Message, and your Color

SPACE USE RECOMMENDATIONS

- Front of rack to wall setback to center base plate
- Minimum 18" perpendicular to center base plate
- Minimum 16" diagonal 30°

- Racks parallel to a side wall
- Minimum 24" from center base plate

Distance between racks

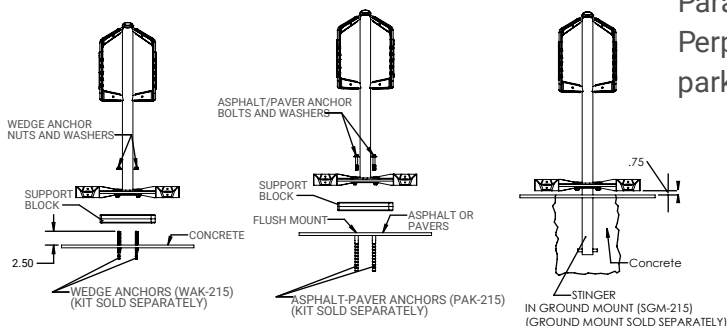
- Minimum 32" center to center
- Recommended 38 1/2" perpendicular OR 44 1/2" diagonal

Street setbacks

- Parallel to street minimum: 45" from curb
- Perpendicular to street minimum: 38" from curb where vehicle parking is present. 18" where vehicle parking is not permitted.

MOUNTING CONFIGURATIONS

SURFACE MOUNT CONCRETE SURFACE MOUNT ASPHALT IN-GROUND MOUNT STINGER



Visit GoConfigure™ app.groundcontrolsystems.com to build parking layouts and downloadable PDFs

*Please contact us for additional information on the DV215 as a long term parking solution.

groundcontrolsystems.com | P: 800 630-7225 | info@groundcontrolsystems.com