

MATERIALS & FEATURES

- 2 bicycles secured - long term or short term parking solution*
- Black or Silver injection molded urethane Smart Guards
- Steel locking loops
- Wheel pocket docks
- PC/ABS injection molded cap
- Smart and Safe bicycle parking video QR tag

FINISH

- DuraPlas® Black or Silver Thermoplastic
- (Standard)** Hot Dipped Galvanized **(Marine Environment)**

MOUNTING OPTIONS

- Surface mount - Concrete **(Anchors Sold Separately)**
- Surface mount - Pavers **(Anchors Sold Separately)**
- In-ground mount - Stinger **(Stinger Sold Separately)**

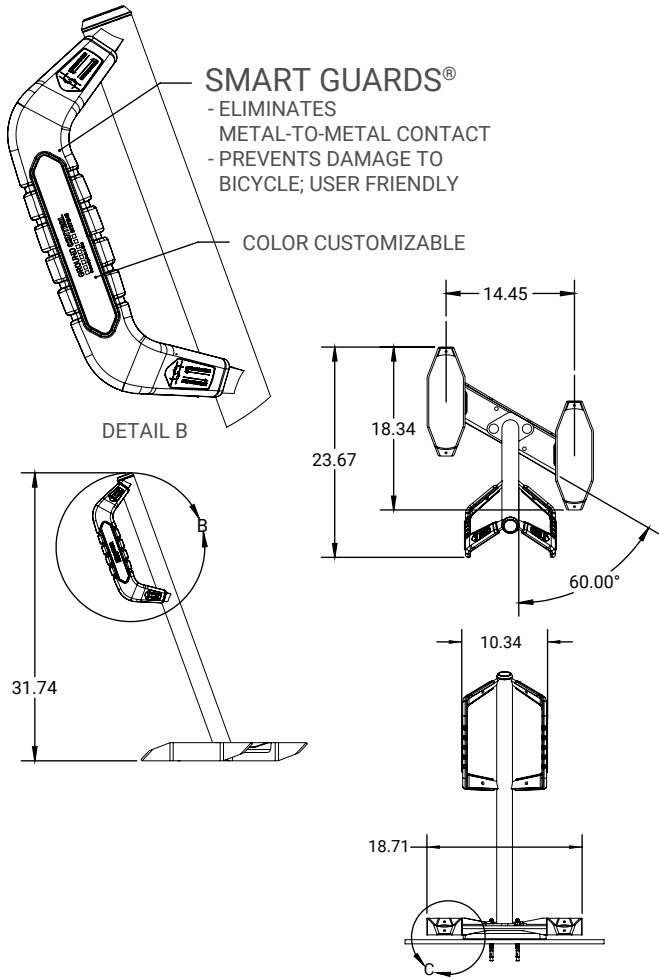
SMART GUARD LABEL OPTIONS

- Ground Control Systems Label **(Standard)**
- Custom - Put your Brand, Logo, or Message, and your Color

SPACE USE RECOMMENDATIONS

- Front of rack to wall setback to center base plate
 - Minimum 18" perpendicular to center base plate
 - Minimum 16" diagonal 30°
- Racks parallel to a side wall
 - Minimum 24" from center base plate
- Distance between racks
 - Minimum 32" center to center
 - Recommended 38 1/2" perpendicular OR 44 1/2" diagonal
- Street setbacks
 - Parallel to street minimum: 45" from curb
 - Perpendicular to street minimum: 38" from curb where vehicle parking is present. 18" where vehicle parking is not permitted.

*Please contact us for additional information on the DV215 as a long term parking solution.



SMART GUARDS®
 - ELIMINATES METAL-TO-METAL CONTACT
 - PREVENTS DAMAGE TO BICYCLE; USER FRIENDLY
 COLOR CUSTOMIZABLE

DETAIL B

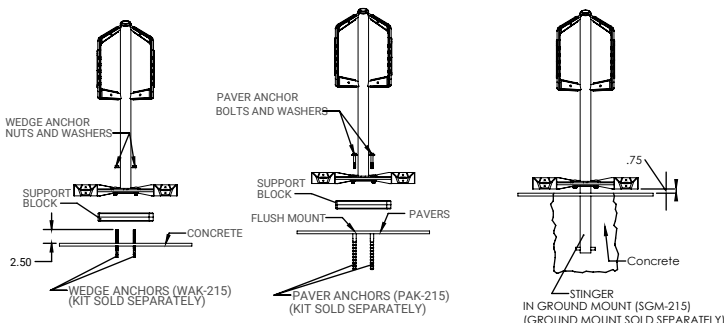
DETAIL C
 SCALE 1 : 6

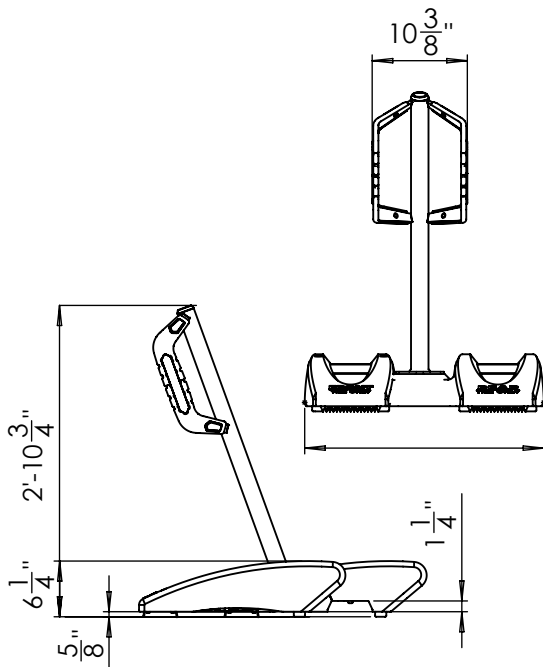
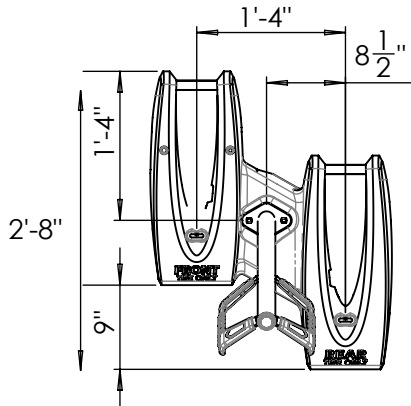
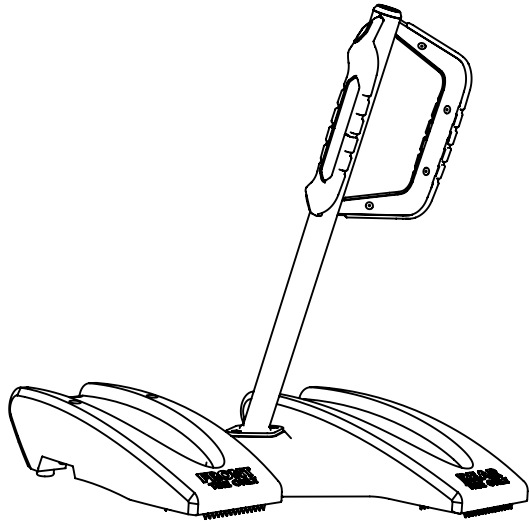
ELEVATED DECK

- EASY REMOVAL OF DEBRIS.
- ELIMINATES CONTACT BETWEEN THE DOCK AND THE GROUND
- PREVENTS ELECTROLYSIS
- REDUCES CORROSION
- EXTENDS THE LIFE OF THE DOCK

MOUNTING CONFIGURATIONS

SURFACE MOUNT CONCRETE **SURFACE MOUNT PAVER** **IN-GROUND MOUNT STINGER**





MATERIALS & FEATURES

- 2 bicycles secured - long or short term parking solution*
- Temporary and permanent mounting options
- ASTM A36 stamped metal locking loops w/ injection molded polyurethane Smart Guards®
- ASTM A53 1-½" SCH 40 center
- Uniquely blended ABS/PC injection molded cap
- UV-stabilized MPE Base
 - Can be weighted with organic material (**approx. 65 lbs**)
 - Integrated, waterproof enclosures for bike parking monitoring devices (**coming soon**)
- Approximate 9" Fore & Aft offset (**center to center axel**)
- Accommodates large and small wheels (**additional space allows pitching for smaller wheels**)
- Labeled wheel pockets instruct proper positioning
- Surface options reduce movement
 - Injection molded urethane floor bumpers for smooth surfaces
 - Metal Cleat Plates for use on DG, gravel, earth or sand

FINISH

- DuraPlas® Black Thermoplastic
- Hot Dipped Galvanized (**optional**)
- Silver DuraPlas® Thermoplastic (**special order**)

MOUNTING OPTIONS

- Unlimited on all terrains, surfaces, and substrates
- Optional modular rail system can be added anytime
 - 2, 3 and 4 rack rail extensions
 - Index points set at recommended 36" spacing (**rack to rack**)
 - Tamper-proof bolts attach base to rail
 - Data comm pathway to connect sensors (**optional**)

SPACE USE RECOMMENDATIONS

- Front of rack to wall to center base plate
 - Minimum 19" perpendicular to center base plate
 - Minimum 16" diagonal 30°
- Racks parallel to a side wall
 - Recommended 24" from center base plate
- Distance between racks
 - Minimum 32" center to center
 - APBP recommended 38 1/2" perpendicular OR 44 1/2" diagonal
- Adjacent street setbacks
 - Parallel to street minimum: 45" from curb
 - Perpendicular to street minimum: 38" from curb where vehicle parking is present. 19" where vehicle parking is not permitted.

*Base also available separately. Retrofits to all Varsity® models